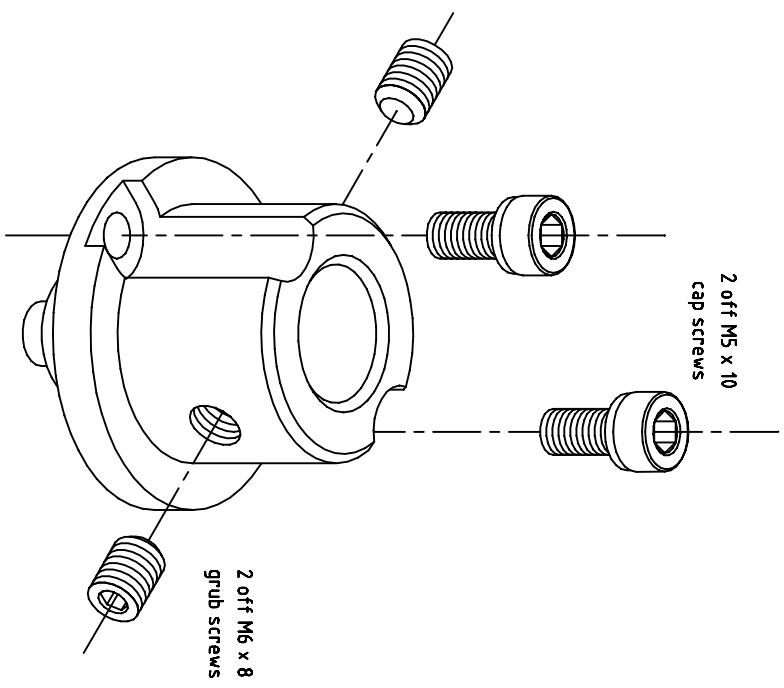
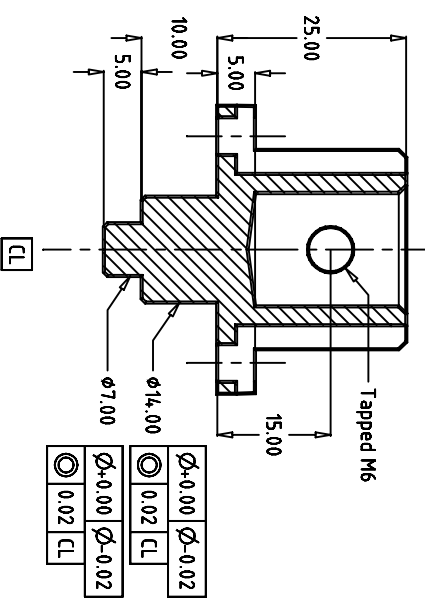


Material: Mild steel



General Arrangement

Shureen Rotary Table Nose (15mm)

Drawing No	02-T-005-01	ISSUE		DATE	
Drawn	30/11/2002		1	30/11/2002	
By	DM				
Scale	1:1				
Projection	Φ				
Tolerance	± 0.2 unless specified				